



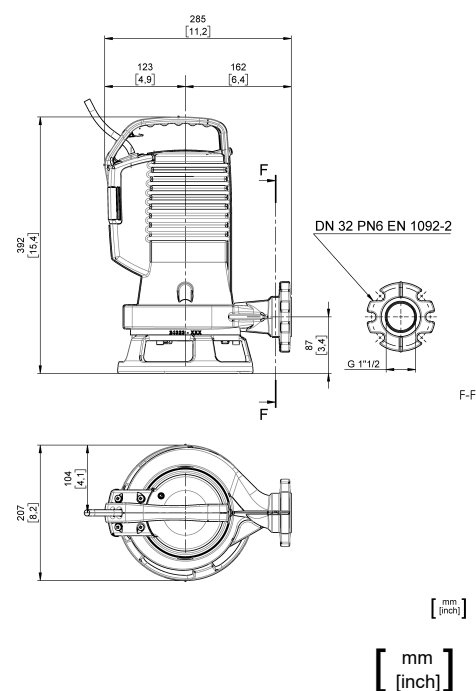
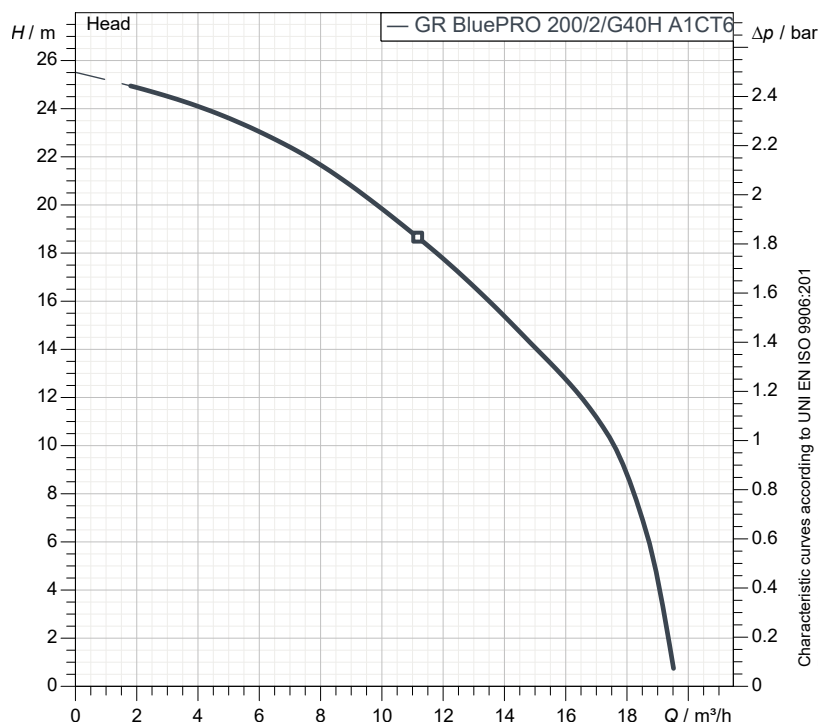
better together

Data sheet

**GR BluePRO 200/2/G40H A1CT6**

**Technical specification**

**3~ 60 Hz**



**Pump**

Series	BluePRO series
Pump name	GR BluePRO 200/2/G40H A1CT6
Version	NGTRB51040N00NN
Standard	EN 809:2009

**Operating limits (standard pumps)**

Max. ambient temperature	40 °C
Max. density treated liquid	1100 kg/m <sup>3</sup>
pH treated liquid	6 ÷ 14
Max. start per hour (equally distributed)	30
Wet/dry use	WET
Max. acoustic pressure level	70 dB
Operating mode	S1 - Continuous use

**Motor data**

Rated voltage	400 V
Frequency	60 Hz
Motor phases	3~
Number of poles	2
Rated power P2	1.50 kW
Incoming power P1	2.20 kW
Rated current	4.30 A
rpm	3480 1/min
cos φ	0.74
Rated torque	4.1 Nm
Start	Direct starting
Degree of protection	IP 68
Insulation class	F

**Construction materials**

Case	Cast iron EN-GJL 250
Shaft	Stainless steel - AISI 431
Hydraulic	Cast iron - EN-GJL 250
Impeller	Cast iron - EN-GJL 250
Painting/Coating	Bi-epoxy 120 μm
Screws	Stainless steel - Class A2-70
Gaskets	NBR
Foot base (if present)	Cast iron - EN-GJS 600
Cutter	Chromium steel - X102 CrMo17 KU
Cutting disk	Chromium steel - X102 CrMo17 KU

**Construction features**

Main cable	4G1
Control cable	-
Cable length	10 mt
Mechanical seals	2 in silicon carbide (2SiC)
Additional drilling	-
Weight*	25 kg
Electrical variant	Thermal protection and relays

\* cable and fixing system excluded

**Hydraulic**

Type	GR (Impeller with grinder system)
Free passage	0 mm
Impeller type	Open channel impeller with grinder system
Suction	-
Discharge	DN 32 - G 1"1/2 EN 1092-2
Curve tolerance	UNI EN ISO 9906:2012



better together

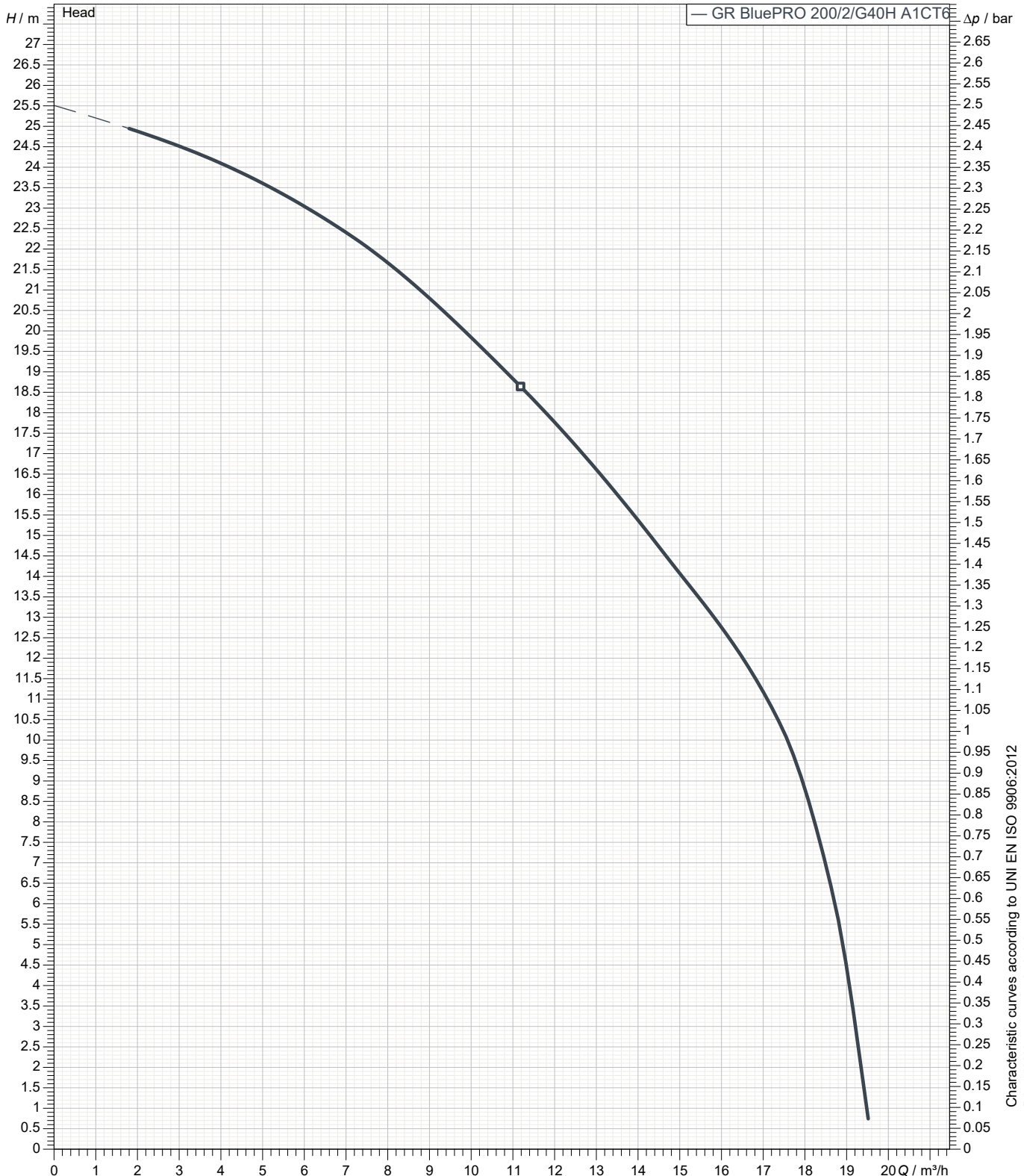
Data sheet

# GR BluePRO 200/2/G40H A1CT6

3~ 60 Hz

## Pump performance curves

<b>Hydraulic type</b> GR (Impeller with grinder system)		<b>Impeller type</b> Open channel impeller with grinder system		<b>Free passage</b> 0 mm	<b>Discharge</b> DN 32 - G 1"1/2	<b>Suction</b> -
<b>DUTY POINT</b>						
<b>Flow</b>	<b>Head</b>	<b>Shaft power P2</b>	<b>Hydraulic efficiency</b>	<b>Density</b> 998.3 kg/m <sup>3</sup>	<b>Viscosity</b> 1.005 mm <sup>2</sup> /s	



Characteristic curves according to UNI EN ISO 9906:2012  
 P2 < 10kW: paragraph 4.4.2  
 10kW < P2 < 100kW: Grade 3B  
 P2 > 100kW: Grade 2B



better together

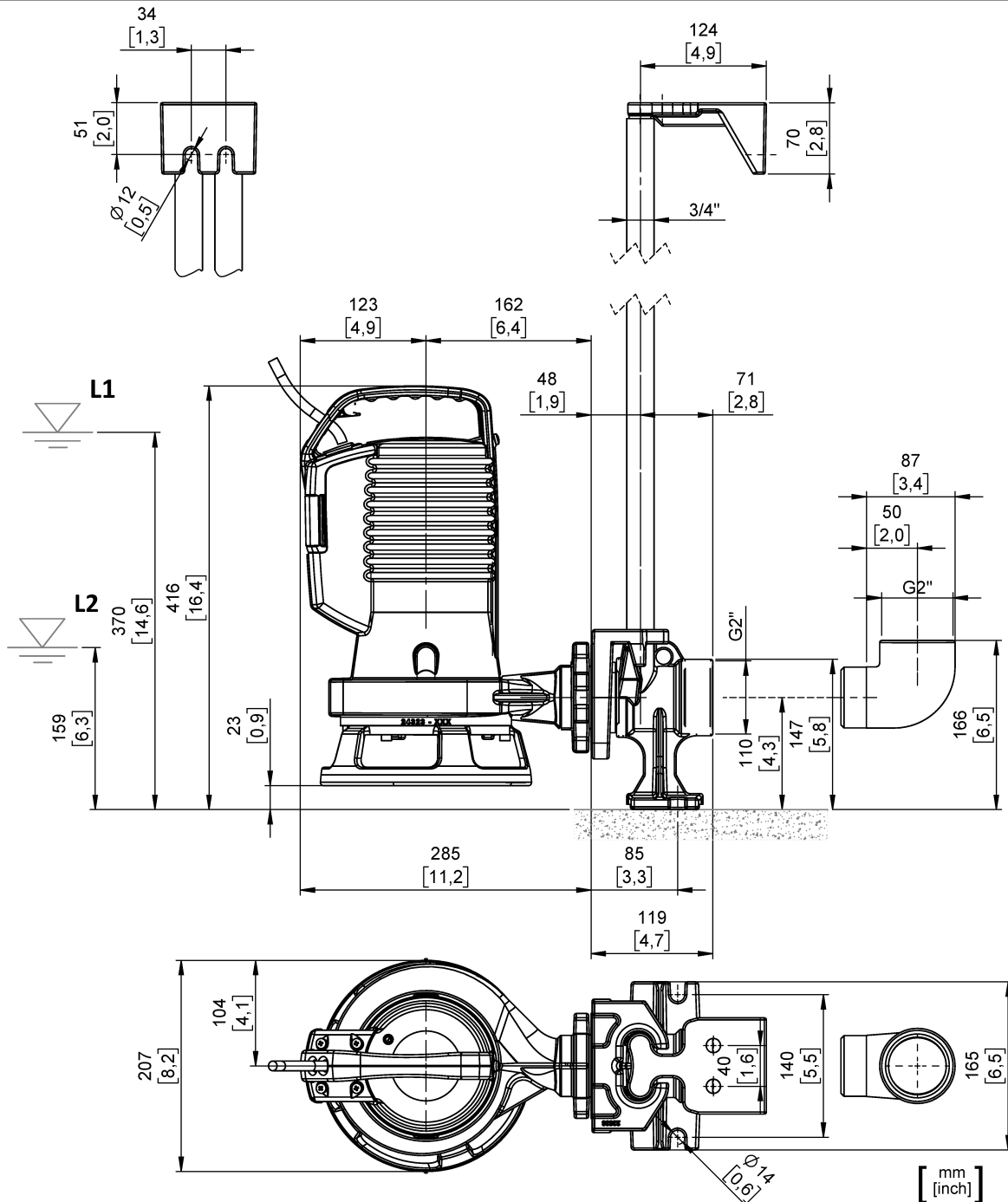
Data sheet

# GR BluePRO 200/2/G40H A1CT6

## Dimensional drawing

3~ 60 Hz

<b>Installation type</b> Installation with bottom coupling device - Horizontal/vertical outlet		
<b>Wet/dry use</b> WET	<b>Drilling variant</b> N	<b>Flushing valve - drilling</b> -
<b>Discharge</b> DN 32 - G 1 1/2 EN 1092-2	<b>Suction:</b> -	<b>Pressure rating (suction/discharge):</b> PN 6
<b>Accessory</b> DAC 32-50/G50H-G50V+KAF 3/4" EN (P)		<b>Accessory code</b> 9028.010
<b>Note: Accessory must be ordered separately</b>		



L1: Minimum operating level for continuous use

L2: Minimum operating level for discontinuous use